

Mechanical Engineering Flowsheet 2026-2027 Catalog

M 171Q Calculus I Start

rev. 06/18/2026

Name: _____

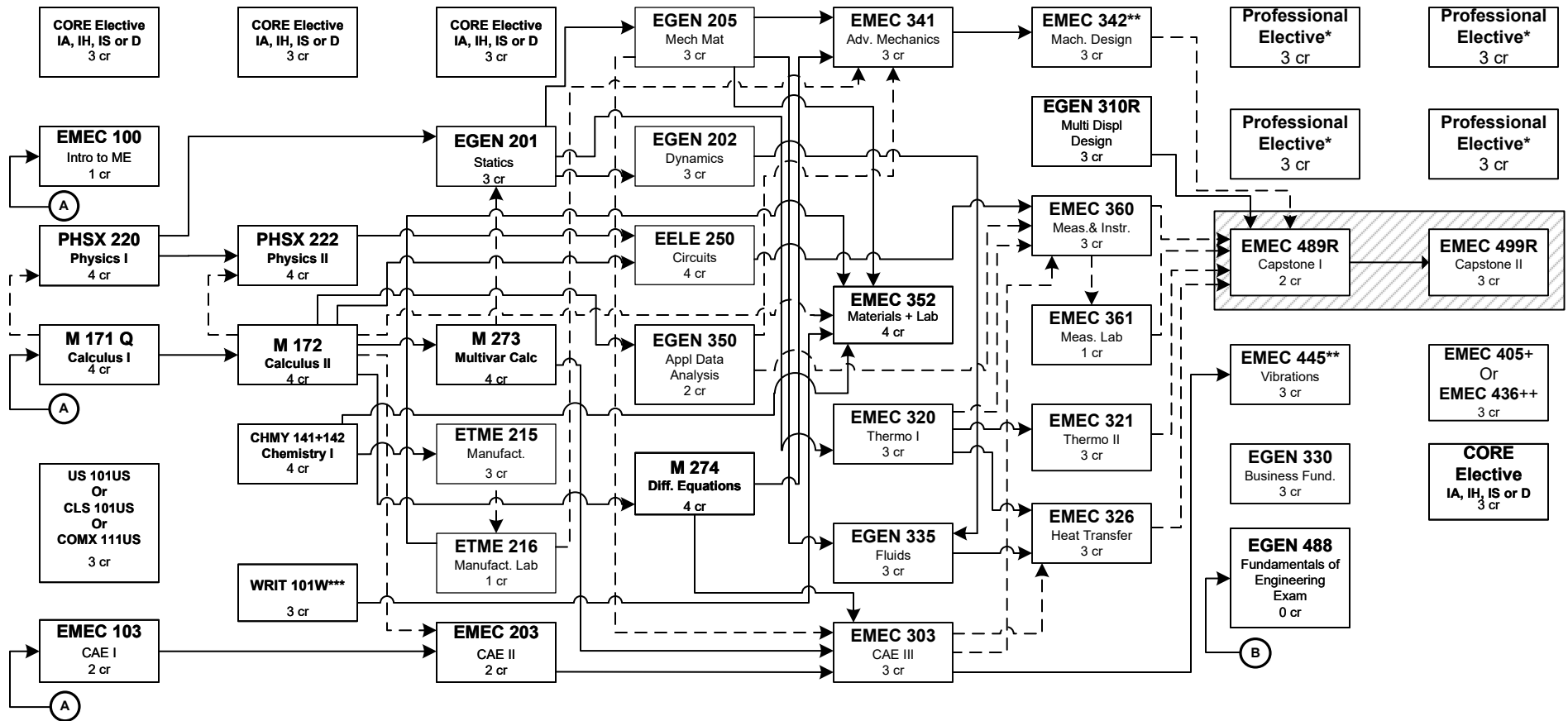
Advising Date: _____

Advising Term: _____ Year: _____

2026-2027

For planning purposes: The MSU catalog displays official degree and prerequisite requirements. Some courses from prior catalogs have been discontinued or replaced. It is recommended that students on catalogs prior to 2022 follow this flowchart to complete their degree requirements.

YEAR 1		YEAR 2		YEAR 3		YEAR 4	
FALL	SPRING	FALL	SPRING	FALL	SPRING	FALL	SPRING



17 credits

18 credits

16 credits

16 credits

16 credits

16 credits

14 credits

15 credits

* See PE Policy requirements. Not all PE's are offered each semester.

** Requires completion of all 100-200 level courses (except Core).

+ Requires co-requisite of EMEC 342.
++ Requires completion of pre-requisites EMEC 303, EGEN 335, and M 274.

Note: All co-requisites to previous courses of the course at the start of a solid line or dashed line must be completed prior to the course at the arrowhead.

*** Students exempt from MSU writing requirement must still meet the minimum credit requirement for their degree. The additional credits needed should be satisfied by taking college-level free electives as recommended in the M&IE writing exempt policy.

Pre-Requisite →

Pre-requisite course. Course at the start of solid line to be taken prior to course at the arrowhead.

--- Co-Requisite →

Co-requisite course. Course at the start of dashed line to be taken prior to or at the same time as the course at the arrowhead.

A hatched box indicates courses which should be taken in sequence.

(B) Take the FE Exam within the final two semesters.

(A) M 151Q Precalculus

Mechanical Engineering at Montana State University
Curricular Planning Worksheet
(for planning purposes only)

Advising Date: _____

Student Name: _____

Advisor Name: _____

Coursework Plan for
Semester _____/Yr. _____

Coursework Plan for
Semester _____/Yr. _____

Coursework Plan for
Semester _____/Yr. _____

Coursework Plan for
Semester _____/Yr. _____

Comments:

**Students must ensure all pre-requisites
and co-requisites are met. See flowchart
on previous page or the page or the MSU
Course Catalog for details**